

The EM-410 is a miniature, lightweight hypercardioid condenser microphone that can be clipped to a shirt or tie. It is designed for best performance when attached to the chest area, enabling high-quality sound pick-up.

---



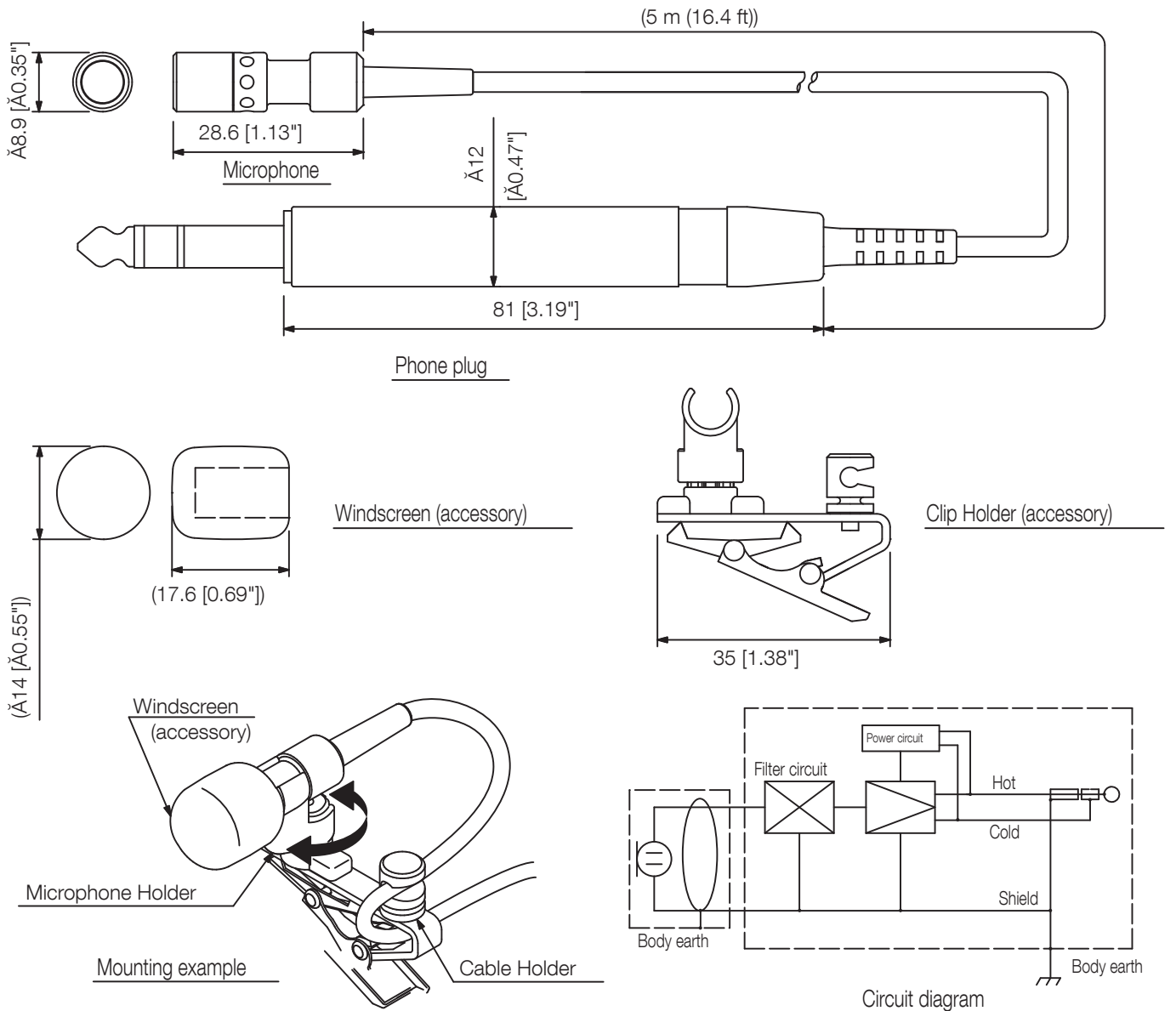
Article number:EM-410

---

## Specifications

Frequency response	100 Hz - 15 kHz
Connection	Balanced-phone plug
Rated impedance	120 $\Omega$
Phantom power	9 – 52 V DC
Microphone type	Electret condenser microphone
Directivity	Hypercardioid
Sensitivity	-47 dB (1 kHz 0 dB = 1 V/Pa)
Dimensions (W x H x D)	x 28,6
Dimensions ( $\phi$ x D)	8,9 x 28,6 mm
Finish	Copper alloy, semi-gloss, paint, black,

Appearance



UNIT:mm SCALE:1/1