



i-6

RGBW LED Wash Light



Description

The i-6 is a narrow-beam wash which provides long-throw performance. Its tight beam can deliver a remarkable amount of light and powerful colors exactly where needed, reaching the furthest parts of your installation, while avoiding light pollution. It is a single-head, compact LED luminaire that establishes a new benchmark for wall washing and accent lighting, thanks to its advanced optical design.

Features and benefits

- ✓ High-performance IP66 RGBW light source with 24 LEDs
- ✓ Flicker-free / Programmable scenes
- ✓ 56706 lux at 5 meters / 2615 verified lumens
- ✓ DMX, RDM and wireless control
- ✓ 2000K - 10000K CTC control
- ✓ 2.3° native beam angle / 3.2°x3.4° optional diffuser
- ✓ Accurate 16bit dimming performance
- ✓ Practically maintenance-free

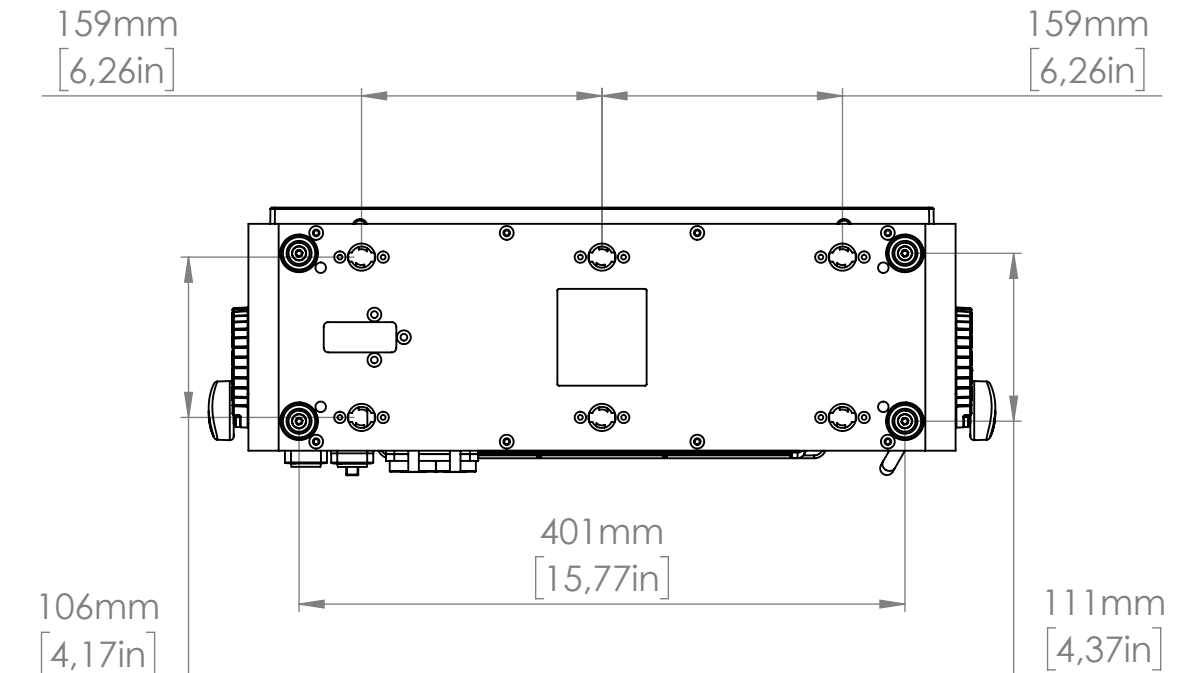
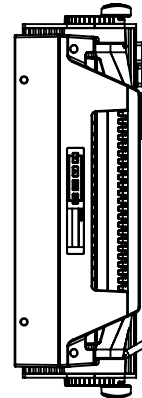
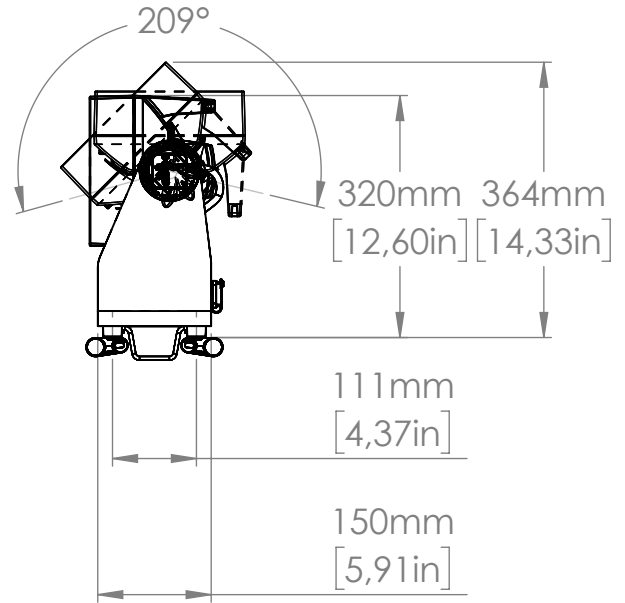
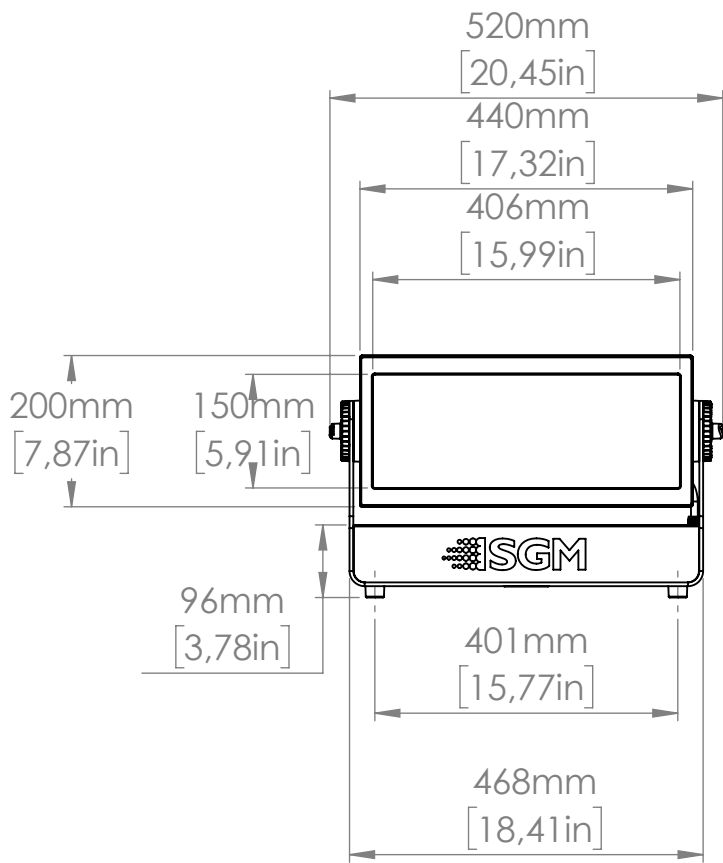
Certifications & classifications

IP66

RoHS

CE





Specification

Optical Data	LED expected lifetime	50,000 hours
	Lightsource	24 LEDs total, 5 Red, 5 Green, 5 Blue, 9 White
	Native lens options	2.3°
Photometric	Color temperature range	2000K - 10000K
	Efficacy	10 lm/W
	Light output all LEDs on	2615 lm
	Lumen per kilogram	174 lm / Kg
	Lux @ 10m	14176 lux
	Lux @ 3m	157516 lux
	Lux @ 5m	56706 lux
	Native beam angle(s)	2.3°
	Native field angle(s)	4.2°
Preliminary light output all LEDs on	2615 lm	
Physical	Color options	Black - RAL 9004 Custom color - Any RAL White - RAL 9010
	Effective Projected Area	1.79 Square ft
	IK rating	IK06
	IP class	IP66
	Lens material	PMMA
	Material	Aluminium PC/ASA Rubber Steel Tempered Glass
	Net dimensions	497 x 166 x 305 mm
	Net dimensions inches	19.6 x 6.5 x 12 inches
	Net weight	15 kg (33.1 lbs)
Features	Color calibration	SGM proprietary, full color calibration
	Dehumidifier	Base / Head
	Dimming	12 DMX-controllable curves (smooth fade in / fast response / low-end extended range)
	Emulation mode / effect	Tungsten response emulation Color Filter Emulation Built-in color presets, display selectable
	Other	Studio DMX mode(s)

	Tilt	Versapath color engine LED frequency control over DMX 209°
	Tilt locking system	Locking system with angle indicator
Electrical	Electrical protection	Overload protection with automatic recover
	Input voltage, absolute max. rating	90 - 305 VAC; 50 / 60 Hz
	Input voltage, nominal	100 - 277 VAC; 50 / 60 Hz
	Max inrush current 230VAC	70 A
	Max power consumption	250 W
	Max power thru @ 100 V	17 A
	Max power thru @ 230 V	14 A
	Power factor	0.92 PF (230 V)
	Power Supply Unit	Inbuilt IP 67 Auto-ranging electronic switch-mode
	Standby power consumption	7 W
Programming and Control	16-bit control	Dimmer, Red, Green, Blue, White
	DMX channels	3, 4, 6, 8, 10, 22
	DMX modes	6
	Protocol	CRMX, W-DMX™ G2, W-DMX™ G3, W-DMX™ G4, W-DMX™ G4S USITT DMX512A RDM ANSI E1.20
	Setting and addressing	OLED graphical display / 4 buttons RDM ANSI E1.20
	Standalone mode	Quick Color 3 programs with up to 24 scenes
	Wireless DMX	Lumen Radio with RDM
Connections	DMX data in/out	IP67 XLR 5-pin connector, Female IP67 XLR 5-pin connector, Male
	Power	Power input connector & link-thru
Installation	Mounting point	3 x two quarter-turn locking points for two or three Omega Brackets
	Orientation	Any
	Rigging possibilities	Hanging (Omega Bracket included) or ceiling/wall mount (optional)
	Safety features	Bottom mount for safety wire Minimum distance to combustible materials: 0.3 meter (11 in).
Thermal	Cooling	Active, Forced Air, Temperature-regulated

Humidity (max.)	98 %
Temperature range, operating	-40°C to 50°C
Temperature range, start-up	-20°C to 50°C
Temperature range, storage	-40°C to 80°C
Thermal protection	Automatic overtemperature protection
Total heat dissipation, max power	853 BTU per hour
Total heat dissipation, standby	23.9 BTU per hour

Included items

Included items	2 Omega bracket with quarter-turn fasteners 2 m IP66 power cable pigtail Safety instructions and installation quick guide
----------------	---

Conforms To

CE - 2014/30/EU: EMC Directive	EN 55103-2 EN 55015 EN 61547 EN 61000-3-2 EN 61000-3-3 EN 55032
CE - 2014/35/EU: Low Voltage Directive	EN 60598-1 EN 60598-2-17 EN 62471 EN 60529
RoHS2 Directive	2011/65/EU

NOTES:

Due to continuous improvements and innovations, specifications may change without notice.

LEDs' expected lifetime provided by manufacturer and obtained under manufacturer's test conditions.

Zoom range defined as a minimum beam angle to a maximum field angle.

Photometric measurements obtained with Goniometer Scan / SGM Illumination Lab 1.6.0.0.

Lumen output in pixel products is calculated.

Ordering information

Qty	Product name	Item number
<input type="checkbox"/>	I-6 RGBW, 2.5°, Std, BL	80031700
<input type="checkbox"/>	I-6 RGBW, 2.5°, Std, WH	80031701
<input type="checkbox"/>	I-6 RGBW, 2.5°, Std, CU	80031702
<input type="checkbox"/>	I-6 RGBW, 3.4°, Std, BL	80031720
<input type="checkbox"/>	I-6 RGBW, 3.4°, Std, WH	80031721
<input type="checkbox"/>	I-6 RGBW, 3.4°, Std, CU	80031722
<input type="checkbox"/>		
	Accessories	Item number
<input type="checkbox"/>	Omega Bracket with 1/4-turn fasteners	83060602
<input type="checkbox"/>	Power cable with IP connector	07860275
<input type="checkbox"/>	SGM USB uploader cable	83062011
<input type="checkbox"/>	Vacuum Test Kit	83061136
<input type="checkbox"/>	4-way Barndoors for P-6 / Q-8 / I-6	83061173
<input type="checkbox"/>		



Headquarter [+45 70 20 74 00](tel:+4570207400)

Mail info@sgmlight.com

Website sgmlight.com