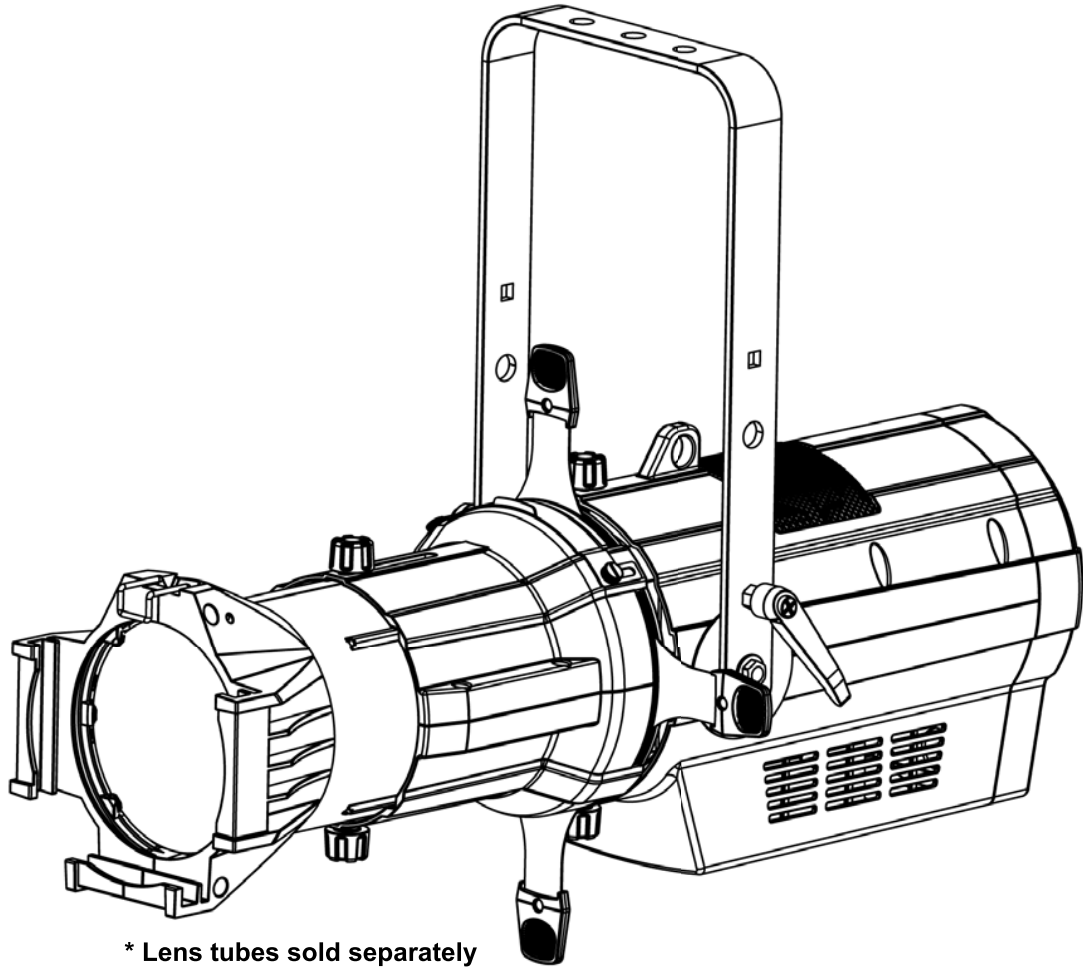


OVATION

E-260CW

Quick Reference Guide

English	EN
Español	ES
Français	FR
Deutsche	DE
Nederlands	NL



* Lens tubes sold separately



CHAUVET
PROFESSIONAL

About This Guide

The Ovation E-260CW Quick Reference Guide (QRG) has basic product information such as connection, mounting, menu options, and DMX values. Download the User Manual from www.chauvetprofessional.com for more details.

Disclaimer

The information and specifications contained in this QRG are subject to change without notice.

LIMITED WARRANTY

FOR WARRANTY REGISTRATION AND COMPLETE TERMS AND CONDITIONS PLEASE VISIT OUR WEBSITE.

For Customers in the United States and Mexico: www.chauvetlighting.com/warranty-registration.

For Customers in the United Kingdom, Republic of Ireland, Belgium, the Netherlands, Luxembourg, France, and Germany: www.chauvetlighting.eu/warranty-registration.

Chauvet warrants that this product shall be free from defects in material and workmanship under normal use, for the period specified in, and subject to the exclusions and limitations set forth in the full limited warranty on our website. This warranty extends only to the original purchaser of the product and is not transferable. To exercise rights under this warranty, you must provide proof of purchase in the form of an original sales receipt from an authorized dealer that shows the product name and date of purchase. THERE ARE NO OTHER EXPRESS OR IMPLIED WARRANTIES. This warranty gives you specific legal rights. You may also have other rights that vary from state to state and country to country. This warranty is valid only in the United States, United Kingdom, Republic of Ireland, Belgium, the Netherlands, Luxembourg, France, Germany and Mexico. For warranty terms in other countries, please consult your local distributor.

Safety Notes

- DO NOT open this product. It contains no user-serviceable parts.
- To eliminate unnecessary wear and improve its lifespan, during periods of non-use completely disconnect the product from power via breaker or by unplugging it.
- DO NOT look at the light source when the product is on.
- CAUTION: This product's housing may be hot when lights are operating.
- Mount this product in a location with adequate ventilation, at least 20 in (50 cm) from adjacent surfaces.
- DO NOT leave any flammable material within 50 cm of this product while operating or connected to power.
- CAUTION: When transferring product from extreme temperature environments, (e.g., cold truck to warm humid ballroom) condensation may form on the internal electronics of the product. To avoid causing a failure, allow product to fully acclimate to the surrounding environment before connecting it to power.
- USE a safety cable when mounting this product overhead.
- DO NOT submerge this product (IP20). Regular outdoor operation is fine.
- DO NOT operate this product if the housing, lenses, or cables appear damaged.
- DO NOT connect this product to a dimmer or rheostat.
- ONLY connect this product to a grounded and protected circuit.
- ONLY use the hanging/mounting bracket to carry this product.
- In the event of a serious operating problem, stop using immediately.
- The maximum ambient temperature is 113 °F (45 °C). Do not operate this product at higher temperatures.

Contact

Outside the U.S., United Kingdom, Ireland, Benelux, France, Germany, or Mexico, contact your distributor to request support or return a product. Refer to [Contact Us](#) at the end of this QRG for contact information.

What is Included

- Ovation E-260CW
- Neutrik powerCON power cord
- Quick Reference Guide

AC Power

This product has an auto-ranging power supply that can work with an input voltage range of 100–240 VAC, 50/60 Hz.

Power Linking

You can link up to 7 Ovation E-260CW products at 120 V, 12 products at 208 V, or 13 products at 230 V. Never exceed this number. Power linking cords can be purchased separately.

AC Plug

Connection	Wire (U.S.)	Wire (Europe)	Screw Color
AC Live	Black	Brown	Yellow/Brass
AC Neutral	White	Blue	Silver
AC Ground	Green/Yellow	Green/Yellow	Green



To eliminate unnecessary wear and improve its lifespan, during periods of non-use completely disconnect the product from power via breaker or by unplugging it.

DMX Linking

The Ovation E-260CW will work with a DMX controller using a 3- or 5-pin DMX serial connection. A DMX Primer is available from www.chauvetprofessional.com.

DMX Connection

The Ovation E-260CW uses a 3- or 5-pin DMX data connection for its DMX personalities: **1 Ch**, **2 Ch**, **3 Ch**, and **6 Ch**. See the User Manual for information about connecting and configuring the product for DMX operation.

Master/Slave Connection

The Ovation E-260CW uses the DMX data connection for its master/slave mode. See the User Manual for information about how to connect and configure the product for master/slave operation.

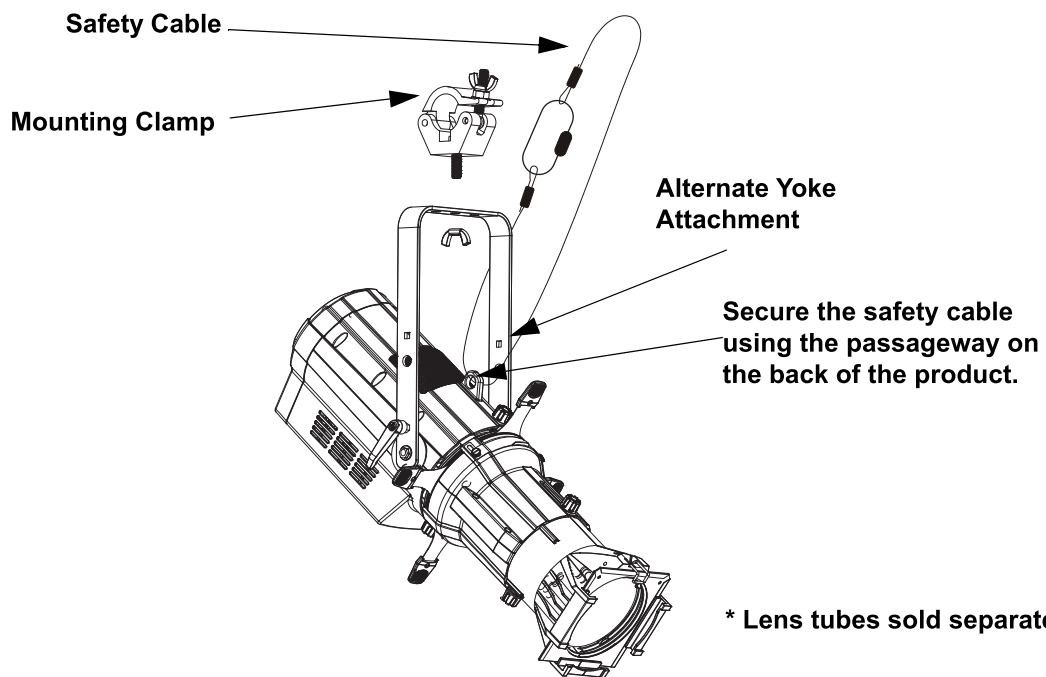
RDM (Remote Device Management)

Remote Device Management, or RDM, is a standard for allowing DMX-enabled devices to communicate bi-directionally along existing DMX cabling. Check the DMX controller's User Manual or with the manufacturer as not all DMX controllers have this capability. The Ovation E-260CW supports RDM protocol that allows feedback to make changes to menu map options. Download the User Manual from www.chauvetprofessional.com for more details.

Mounting

Before mounting this product, read the [Safety Notes](#). Use at least one mounting point per product. Make sure the mounting clamps are capable of supporting the weight of the product. For our Chauvet line of mounting clamps, go to <http://trusst.com/productcategory/truss-clamps/>

Product Mounting Diagram



Overhead Mounting

Control Panel Description

Button	Function
<MENU>	Exits from the current menu or function
<ENTER>	Enables the currently displayed menu or sets the currently selected value into the selected function
<UP>	Navigates upwards through the menu list or increases the numeric value when in a function
<DOWN>	Navigates downwards through the menu list or decreases the numeric value when in a function

Lens Tubes

The following lens tubes are available for purchase:

- 19°, 26°, 36°, and 50° w/Gel frame (6.25 in/159 mm accessories)
- 14°, 15°–30° and 25°–50° Zoom Gel frame (7.5 in/191 mm accessories)

Passcode

After being prompted, enter the following passcode by pressing:

<UP>, <DOWN>, <UP>, <DOWN>, <ENTER>

This passcode cannot be changed and must be used whenever prompted.

Menu Map

Main Level	Programming Levels	Description	
DMX Address	001–512	Selects DMX address (highest channel restricted to personality chosen).	
DMX Channel	1 Ch	1-channel: dimmer	
	2 Ch	2-channel: 16-bit dimmer	
	3 Ch	3-channel: 16-bit dimmer, strobe	
	6 Ch	6-channel: 16-bit dimmer, strobe, auto programs, auto speed, dimmer mode	
Static	Dimmer	0–255	Sets the intensity of the light output
	Strobe		Sets the strobe rate
Auto Show	Auto 1	1–100	Selects automatic programs and speed
	Auto 2		
	Auto 3		
	Auto 4		
Master/Slave Mode	Master	Master mode	
	Slave	DMX slave mode	
Dimmer Mode	Off	Linear dimming	
	Dimmer 1–3	Dimming curves: Dimmer 1 (fast) to Dimmer 3 (slow)	
LED Frequency	600Hz	PWM frequency	
	1200Hz		
	2000Hz		
	4000Hz		
	6000Hz		
	25KHz		
Fan Mode	Auto	Sets the fan to auto mode	
	On	Sets the fan to always on	
	Off	Sets the fan to always off	
	Silent	Sets the fan to silent	
Back Light	On	Display backlight always on	
	10S	Turns off display backlight after 10 sec of inactivity	
	20S	Turns off display backlight after 20 sec of inactivity	
	30S	Turns off display backlight after 30 sec of inactivity	

Main Level	Programming Levels		Description
Information	Fixture Hours	<_ _ _ _ H>	Shows total product hours
	Version	<V _ . _>	Shows installed software version
	UID	----- --	Shows product ID

DMX Values

6 Ch

Channel	Function	Value	Percent/Setting
1	Dimmer	000 ⇔ 255	0–100%
2	Fine Dimmer	000 ⇔ 255	0–100%
3	Strobe	000 ⇔ 010	No function
		011 ⇔ 255	Strobe, slow to fast
4	Auto Program	000 ⇔ 010	No function
		011 ⇔ 070	Auto 1
		071 ⇔ 130	Auto 2
		131 ⇔ 190	Auto 3
		191 ⇔ 255	Auto 4
5	Auto Speed	000 ⇔ 255	Slow to fast
6	Dimmer Speed	000 ⇔ 051	Preset dimmer speed from display menu
		052 ⇔ 101	Dimmer speed mode off
		102 ⇔ 152	Dimmer speed mode 1 (fastest)
		153 ⇔ 203	Dimmer speed mode 2
		204 ⇔ 255	Dimmer speed mode 3 (slowest)

3 Ch

Channel	Function	Value	Percent/Setting
1	Dimmer	000 ⇔ 255	0–100%
2	Fine Dimmer	000 ⇔ 255	0–100%
3	Strobe	000 ⇔ 010	No function
		011 ⇔ 255	Strobe, slow to fast

2 Ch

Channel	Function	Value	Percent/Setting
1	Dimmer	000 ⇔ 255	0–100%
2	Fine Dimmer	000 ⇔ 255	0–100%

1 Ch

Channel	Function	Value	Percent/Setting
1	Dimmer	000 ⇔ 255	0–100%