

PL 70EN

CEILING SPEAKER WITH FIRE DOME

DESCRIPTION

PL 70EN is a ceiling speaker featuring a flameproof steel back can, designed for recess installation into ceilings or panels. It is especially suitable for broadcasting alarm messages thanks to the highly intelligible sound reproduction and its resistance to high temperatures reached during fires. The terminal connection blocks, for input and output flameproof cables, are made of ceramic material. A thermal fuse protects the integrity of the line in case of heat affecting the speaker. Ground screw available (if needed). Cables inside speaker made using flameproof leads.



FEATURES

- 6" fullrange transducer.
- Power selectable (100 V): 6 W – 3 W – 1.5 W – 0.75 W.
- 93 dB sensitivity.
- Colour white RAL 9003.
- Steel frame, grille and back can.
- In/out ceramic terminal block.
- Thermal fuse protection.

TECHNICAL SPECIFICATIONS

Acoustical specifications	Frequency Response (-10dB):	230 Hz ÷ 20000 Hz
	Max SPL @ 1m:	99 dB
	Max SPL @ 4m:	87 dB
	Coverage angle:	131°
	System Sensitivity:	93 dB
	System Sensitivity 1W @ 4m:	81 dB
Power section	Nominal Impedance (ohm):	8 ohm
	Power Handling:	6 W RMS
	Peak Power Handling:	24 W PEAK
	Recommended Amplifier:	12 W
	Protections:	Thermal fuse
Transducers	Fullrange:	6.0"
Input/Output section	Input connectors:	Ceramic screw terminals
	Output connectors:	Ceramic screw terminals
	Constant Voltage Transformer:	100 V
	Power selection 1 (100 V):	6 W - 1667 ohm
	Power selection 2 (100 V):	3 W - 3333 ohm
	Power selection 3 (100 V):	1.5 W - 6667 ohm
	Power selection 4 (100 V):	0.75 W - 13333 ohm
Standard compliance	EN54-24 certified:	Yes
	CE marking:	Yes
	CPR number:	1488-CPR-0487/W
Physical specifications	Cabinet/Case Material:	Metal
	Hardware:	Steel back cover
	Grille:	Steel
	Color:	White - RAL 9003
Size	Height:	137 mm / 5.39 inches
	Recessed Depth:	124 mm / 4.88 inches
	Diameter:	230 mm / 9.06 inches
	Cut out diameter:	199 mm / 7.83 inches
	Weight:	2.03 kg / 4.48 lbs
Shipping informations	Package Height:	165 mm / 6.5 inches
	Package Width:	260 mm / 10.24 inches
	Package Depth:	265 mm / 10.43 inches
	Package Weight:	2.03 kg / 4.48 lbs



PART NUMBER

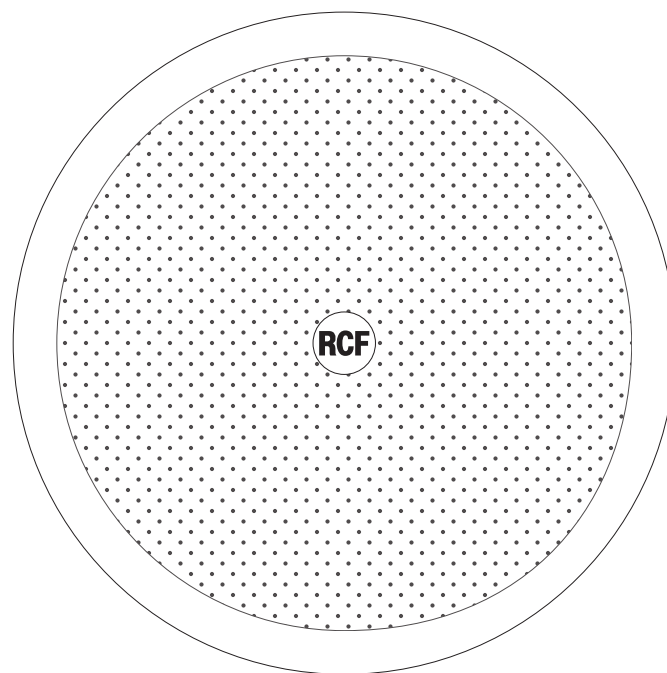
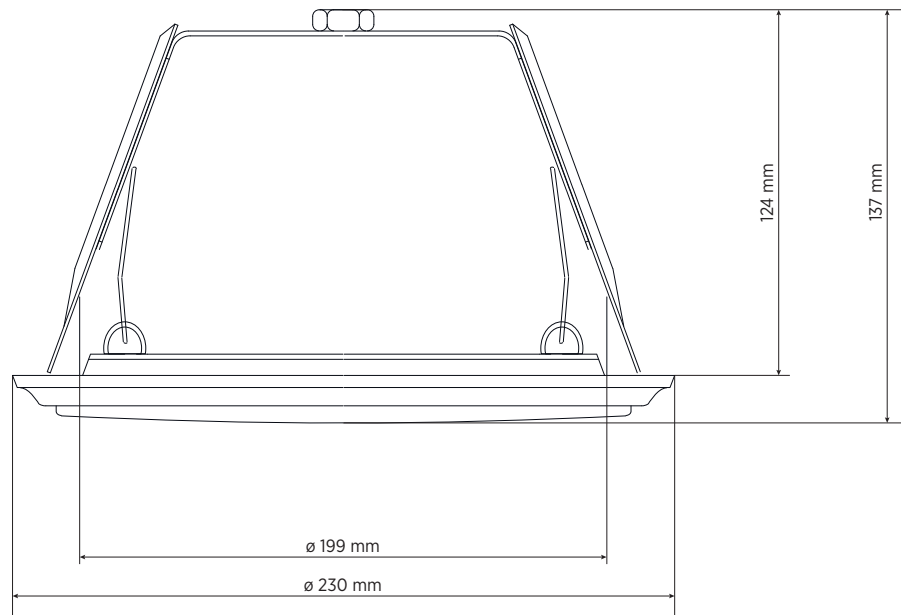
- **13133065**

PL 70EN

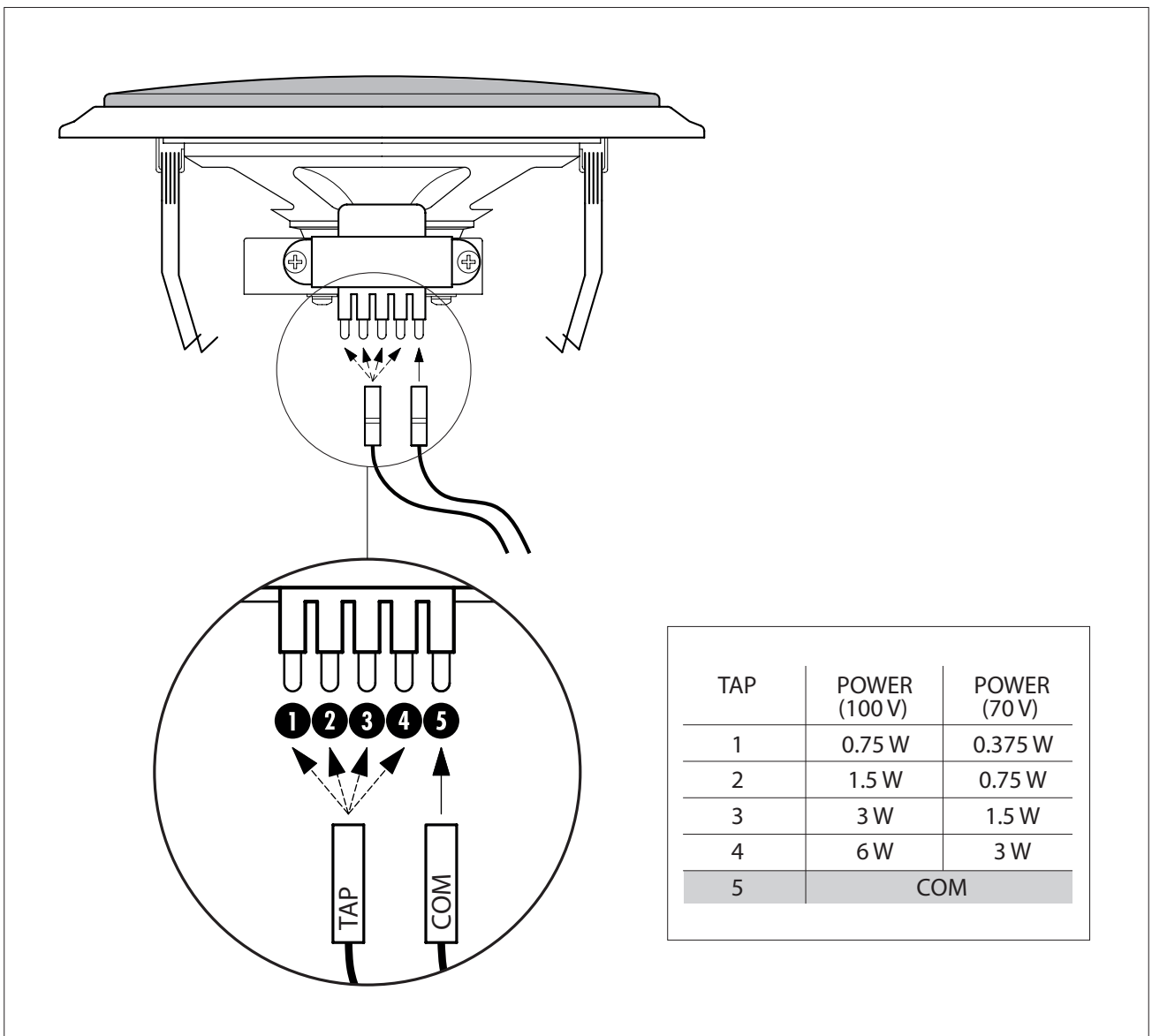
White - RAL 9003

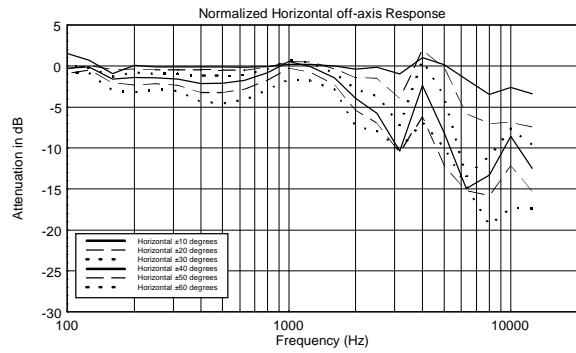
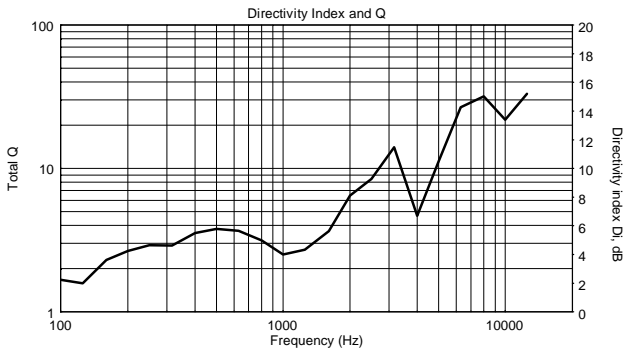
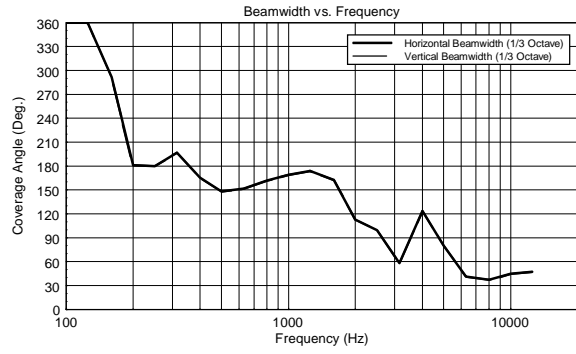
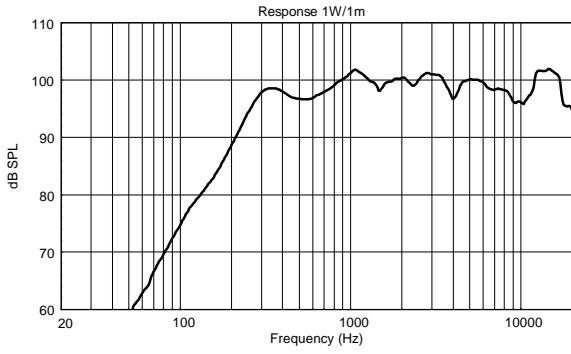
EAN 8024530007591

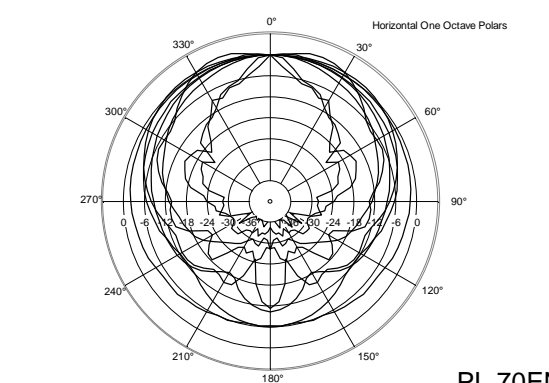
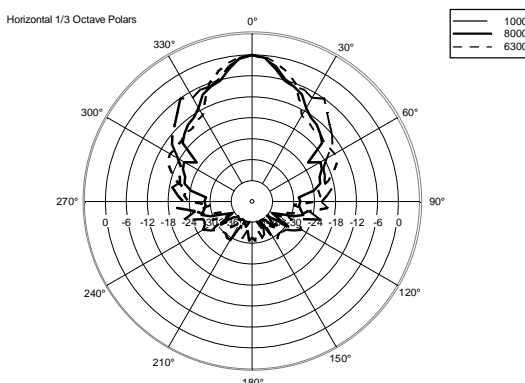
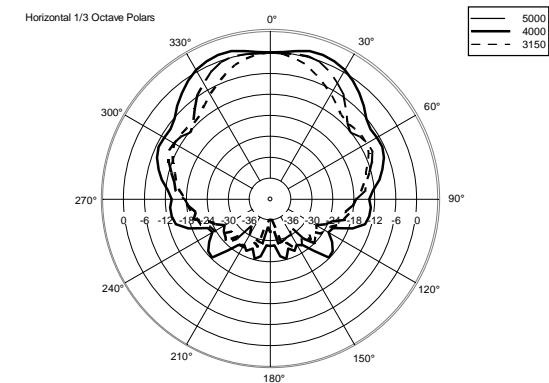
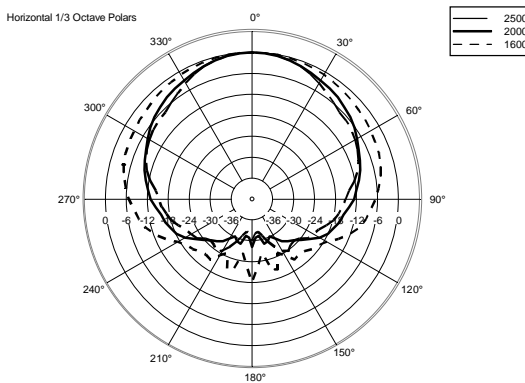
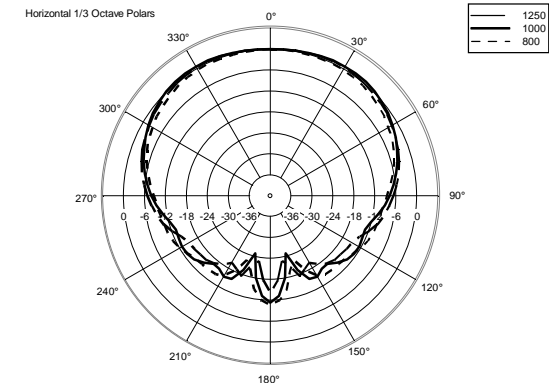
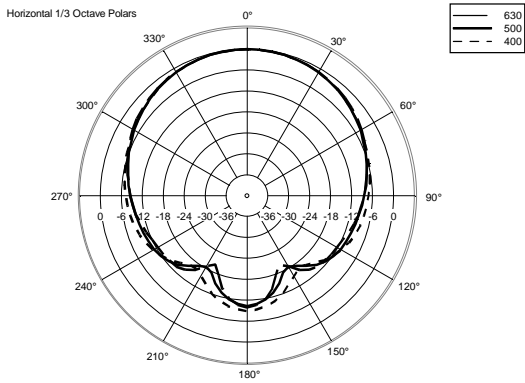
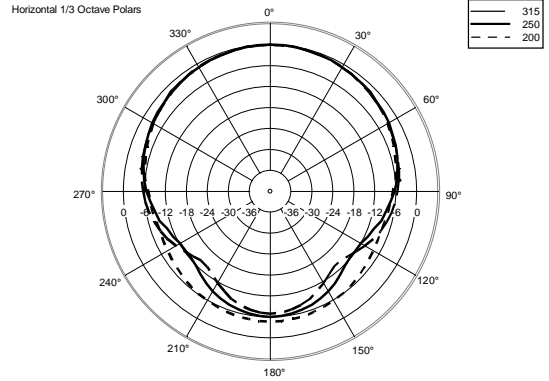
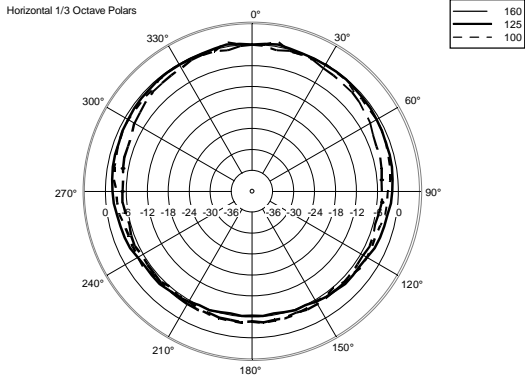
DRAWINGS

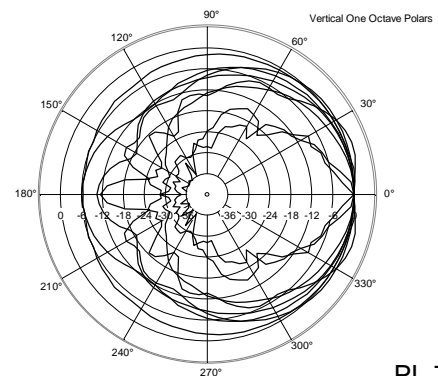
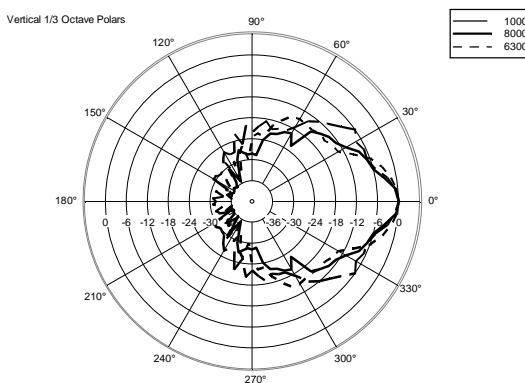
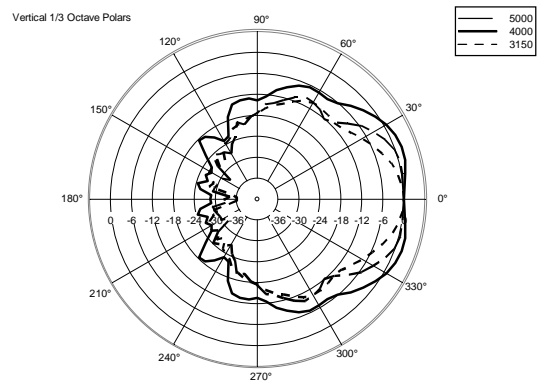
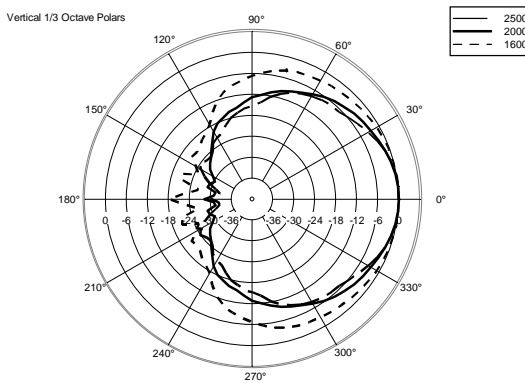
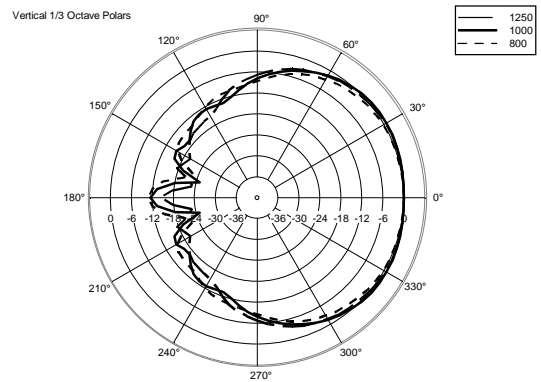
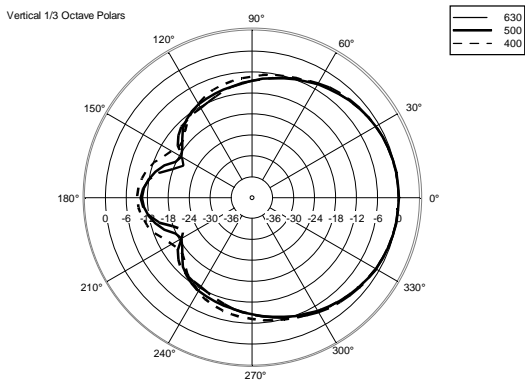
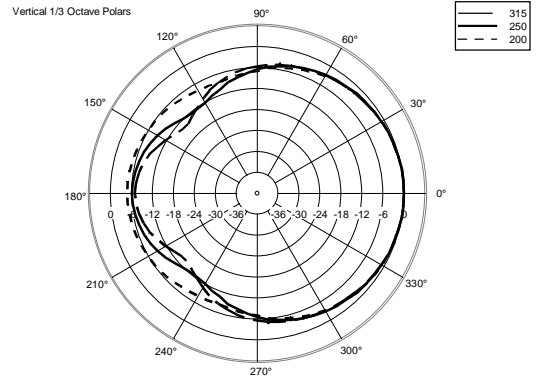
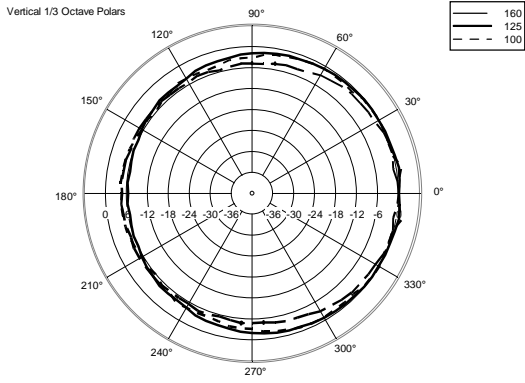


SCHEMATICS











ACCESSORIES

NOTES

NO CAUTION is NECESSARY in case of ALERTED PERSON for AUDIO voltages up to 120V, when warning symbols are present near the connection terminals. In the case of AUDIO voltages up to 71V, it is not even necessary to put warning symbols.

No need of linking to earth metal parts of speakers equipped with transformers and connected to 70.7 V / 100 V outputs of power amplifiers that do not have any reference to earth (ref. EN 62368-1 item 4.3.2.2), unless specific local requirements.
